



## JETPORT – PLUS & MAX CONNECTING EQUIPMENT ACCESSORIES MOORING EQUIPMENT

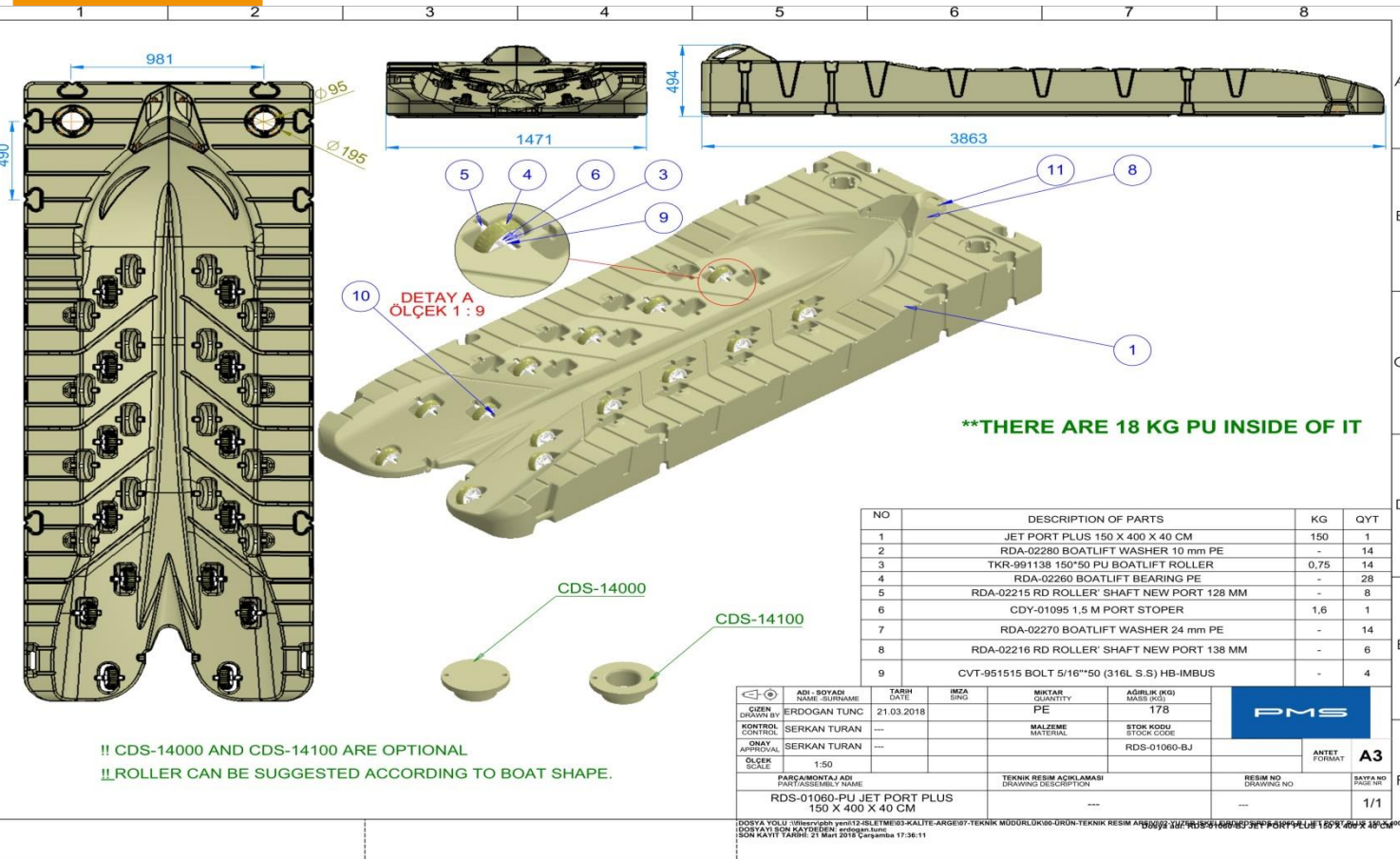
### Product Features

Enabling you to create areas for yourself at sea, lakes and rivers, JETPORT protects the product against winds and waves moving as per the changes of water level. In addition, it helps keep your product dry enough by means of the discharge holes. JETPORT can present exclusive solutions due to the fact that installation can be carried out with some connection equipment (vault, metal equipment, pipe bracket etc.) and that it can be mounted to Cubedock, Rotodock and Marinedock products as well as easy going up and down.



Product Code: Product Definition:

**RDS-01060-PU** JET PORT PLUS



Technical Information	
Width : 147 cm	Bearing Capacity : 1.000 kg
Length : 396 cm	Weight : 178 kg
Height : 38 cm	Material : Polyethylene

- Design presenting safe and soft going-up
- Sanded surface preventing slipping
- 5 pieces of adjustable polyurethane roller providing easy going-up/down, standing body pads and protecting jet ski core
- 8 pieces of side roller protecting jet ski core against friction and abrasion
- Useful and comfortable system discharging water accumulated on the product
- Stability by means of design
- Safe standing due to raised head part
- Stopper preventing the product to go out of the port in case of fast and uncontrolled moving
- Design presenting safe and soft going-up
- Handle on the head part of the product
- Handles used for carrying and connecting on both sides of the entry part

Suitable to fasten cleats without damaging the product by means of metal inserts coalescing with plastic during the production

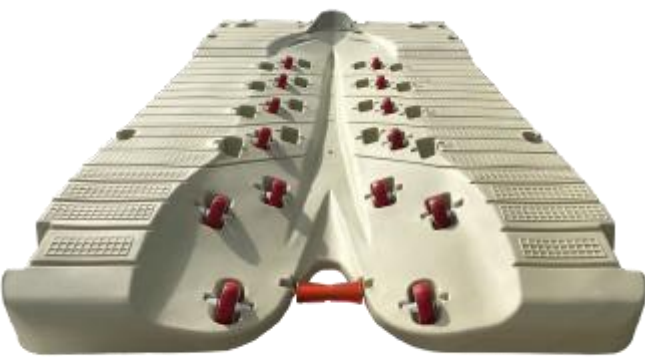
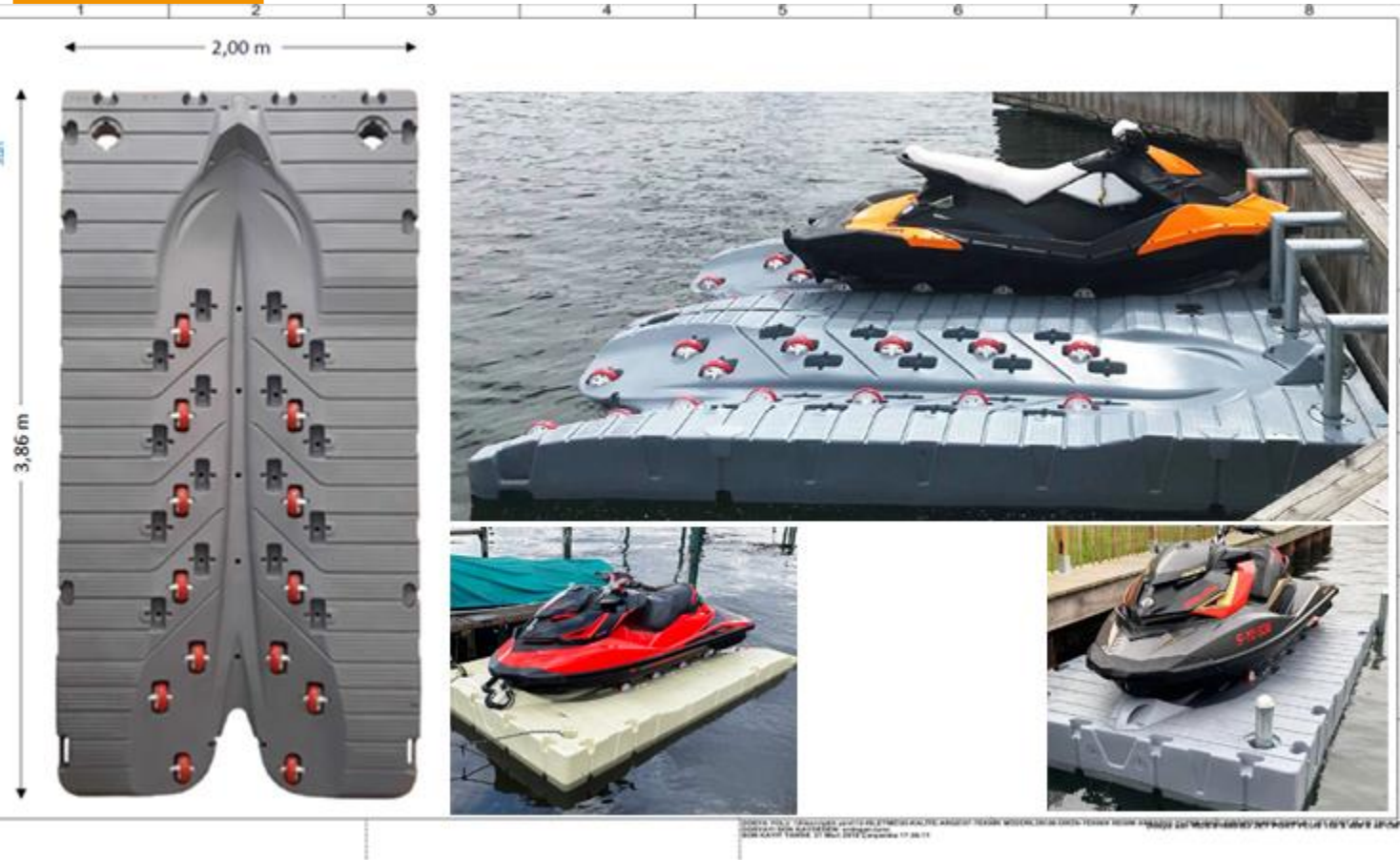


Jet SkiPort





Product Code: **RDS-01070-PU** Product Definition: **JET PORT MAX**



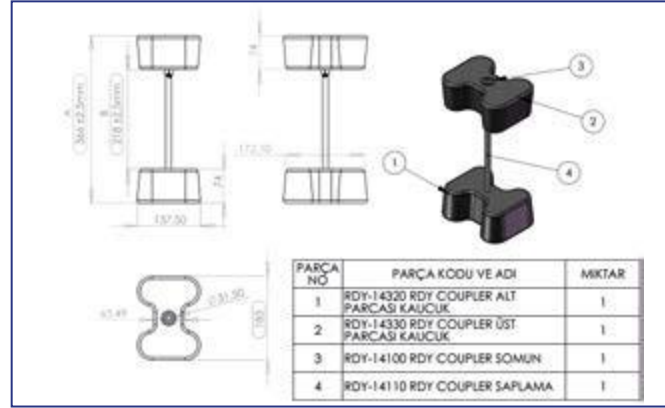
- Design presenting safe and soft going-up
- Sanded surface preventing slipping
- 5 pieces of adjustable polyurethane roller providing easy going-up/down, standing body pads and protecting jet ski core
- 8 pieces of side roller protecting jet ski core against friction and abrasion
- Useful and comfortable system discharging water accumulated on the product
- Stability by means of design
- Safe standing due to raised head part
- Stopper preventing the product to go out of the port in case of fast and uncontrolled moving
- Design presenting safe and soft going-up
- Handle on the head part of the product
- Handles used for carrying and connecting on both sides of the entry part

Suitable to fasten cleats without damaging the product by means of metal inserts coalescing with plastic during the production

Technical Information			
Width	: 200 cm	Bearing Capacity	: 1.340 kg
Length	: 396 cm	Weight	: 205 kg
Height	: 38 cm	Material	: Polyethylene

Jet SkiPort





## Technical Information

Width	: 13,7 cm	Weight	: 2,6 kg
Length	: 17,2 cm	Material	: Kauçuk
Height	: 37 cm		

## Additional Information

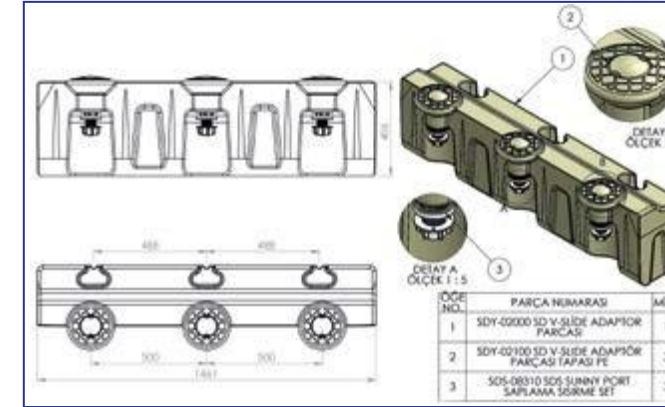
It mounts the Rotodock pontoons each other made of durable and flexible rubber material.

Product Code: Product Definition:

SDS-08200

SUNNYDOCK ADAPTER

## Fittings



## Technical Information

Width	: 37 cm
Length	: 147 cm
Height	: 41 cm

Weight	: 18,3 kg
Material	: Polyethylene

## Additional Information

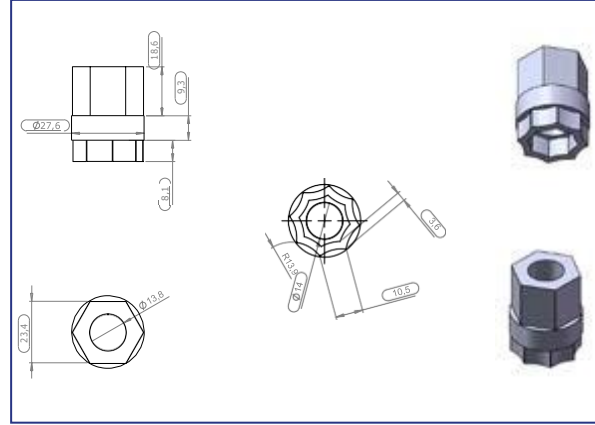
Adapters connecting Rotodock piers with Sunnydock piers.

Product Code:



## Installation Equipment

Product Code: Product Definition:

**RDS-17200 RD SPANNER**

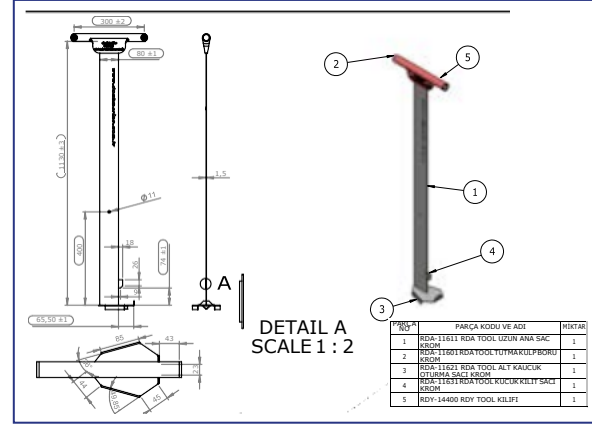
## Technical Information

Diameter : 3,6 cm	Weight : 0,015 kg
Height : 2,8 cm	Material : Plastic

## Additional Information

It is used together with socket heads of 22 and 24 in order to insert the ratchets for tightening the rubber bolts.

Product Code: Product Definition:

**RDS-07301 RD CHROME**

## Technical Information

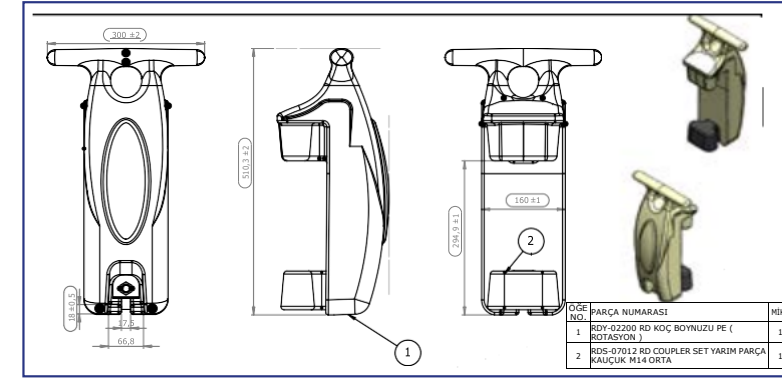
Width : 30 cm	Weight : 3,2 kg
Length : 113 cm	Material : Chrome

## Additional Information

It is an equipment to mount the Rotodock pontoons on the water to each other with rubber parts.

## ACCESSORIES

Product Code: Product Definition:

**RDS-04601-BJ PE CLEAT W/ FENDERSET**

## Technical Information

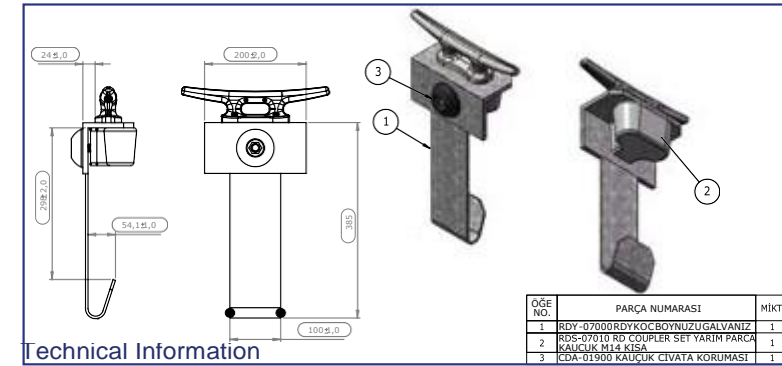
Width : 30 cm	Weight : 2,9 kg
Length : 21 cm	Material : Polyethylene
Height : 51 cm	

## Additional Information

Rotational production cleat with fender. Includes fender to prevent damage to the boat and cleat for mooring the boat at wharf.



Product Code: Product Definition:

**RDS-04610 RD CLEAT SET, GALVANISED**

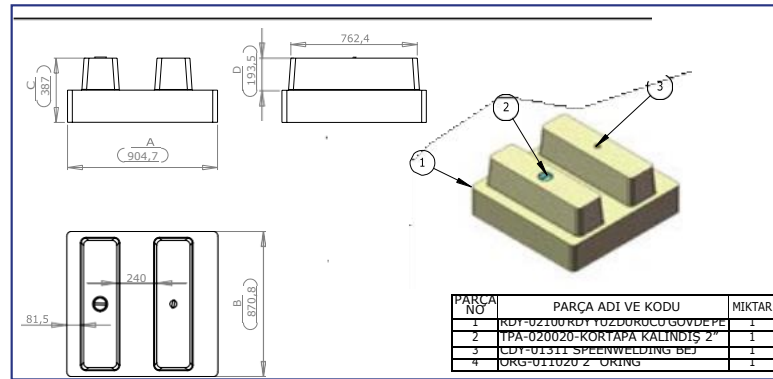
## Technical Information

Width : 30 cm	Weight : 7,5 kg
Length :	Material : Galvanised
Height : 45 cm	

Provides high tonnage mooring capacity. Rubber guard prevents damage to boats.



Product Code: Product Definition:

**RDS-04100-BJ RD FLOATER 2x3 SET**

## Technical Information

Width : 87 cm	Weight : 15 kg
Length : 90 cm	Material : Polyethylene
Height : 39 cm	

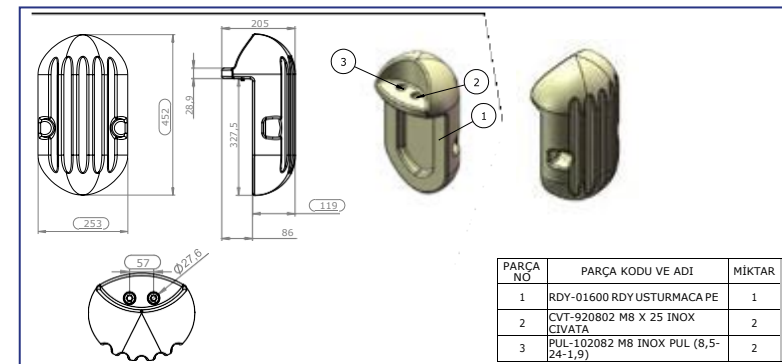
## Additional Information

Rotodock is installed to the ducts under the pontoons. It is used on the burdening points. For example, the point that gangway takes place. It provides extra bearing capacity of 215 kg.



## Accessories

Product Code: Product Definition:

**RDS-04700-BJ RD CLEAT SET, PE (BEIGE)****RDS-04710-BJ RD CLEAT SET AFINITY (BEIGE)**

## Technical Information

Width : 21 cm	Weight : 1,85 kg
Length : 30 cm	Material : Polyethylene
Height : 51 cm	

## Additional Information

Used for cleating on wharves. Made in two different material types: polyethylene material and soft material.



## Fender

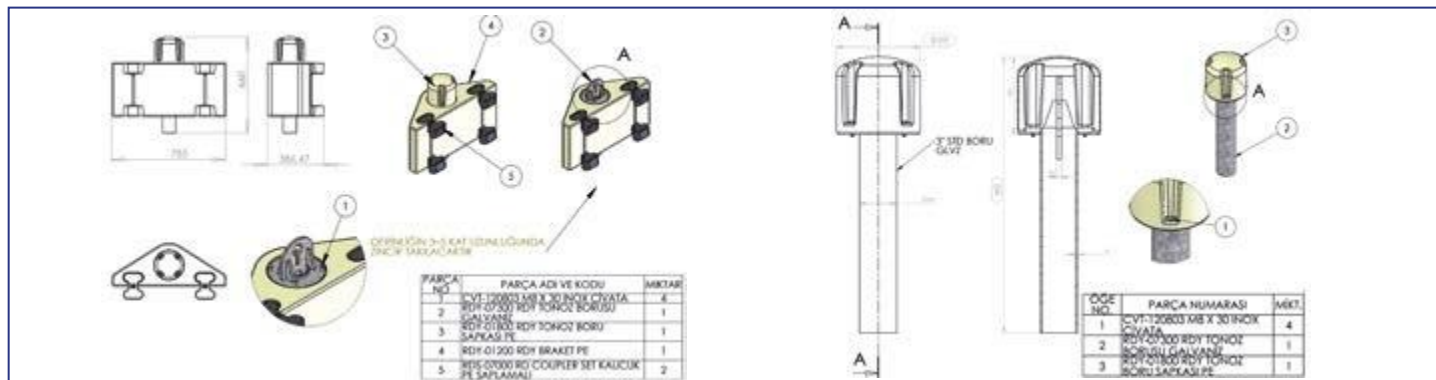


Product Code: Product Definition:

Mooring with Chain and Vault

**RDS-07101-BJ** RD VAULT BRACKET SET, CAPPED

**RDS-07102** RD VAULT PIPE CAPPED SET, GALVANIZED



Technical Information

Width : 39 cm	Weight : 18,75 kg
Length : 79 cm	Material : Polyethylene
Height : 66 cm	

Additional Information

It allows to adjust the demanded scope of cable with the special chain lock system

Technical Information

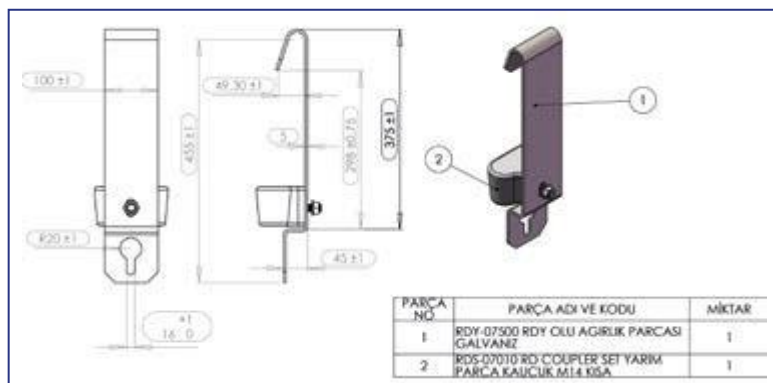
Diameter : 20 cm	Weight : 20 kg
Height : 66 cm	Material : Galvanized

Additional Information

It allows the pier connection of the chains connecting with the vaults used to moor the pier.

Product Code: Product Definition:

**RDS-07410** RD STANDARD CHAIN PASSING SET

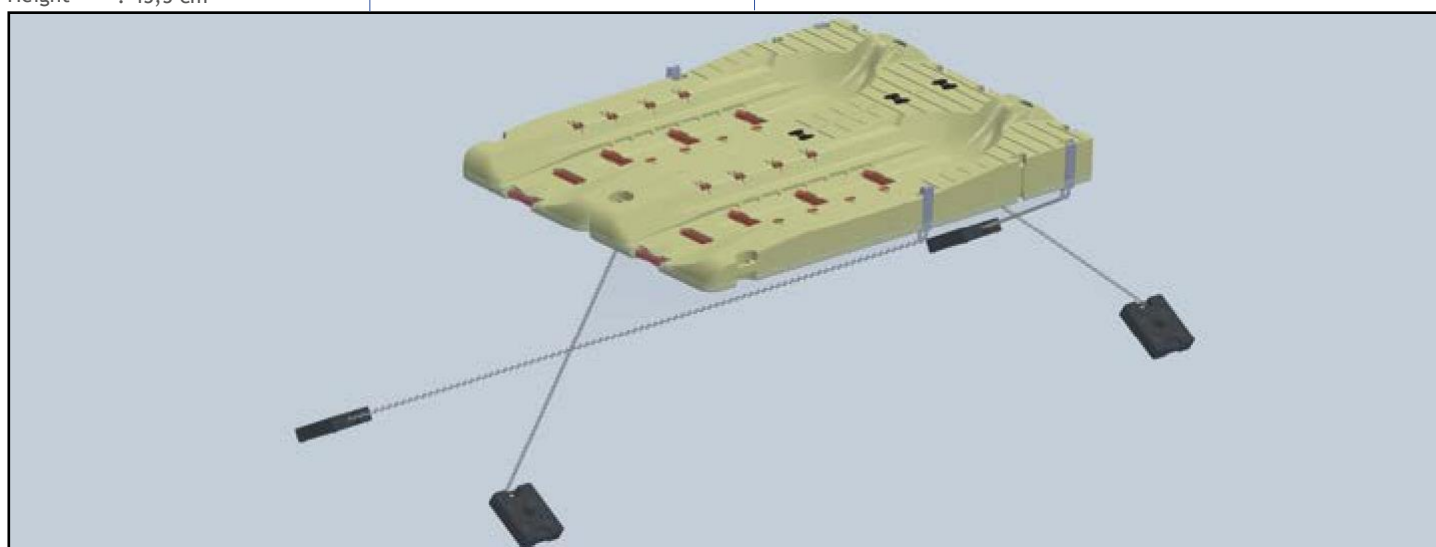


Technical Information

Width : 10 cm	Weight : 5 kg
Length : 5 cm	Material : Galvanized
Height : 45,5 cm	

Additional Information

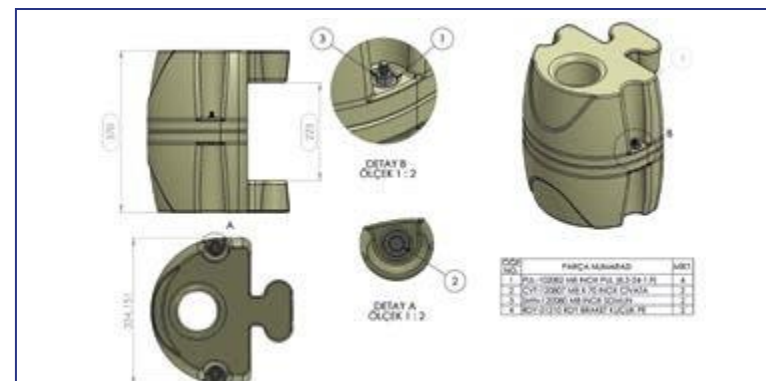
It is used on the places where mooring is carried out with vault and chain.



Product Code: Product Definition:

Mooring with Pole

**RDS-07110-BJ** RD PIPE BRACKET SET



Technical Information

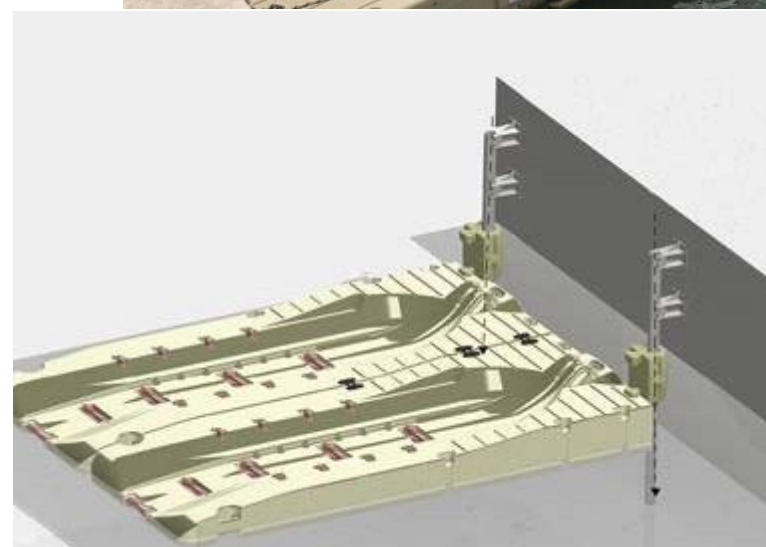
Width : 33,5 cm	Weight : 5 kg
Length : 32,5 cm	Material : Polyethylene
Height : 37 cm	

Additional Information

The pier is moored by means of pipes whose diameter is up to 9 cm.

Product Code: Product Definition:

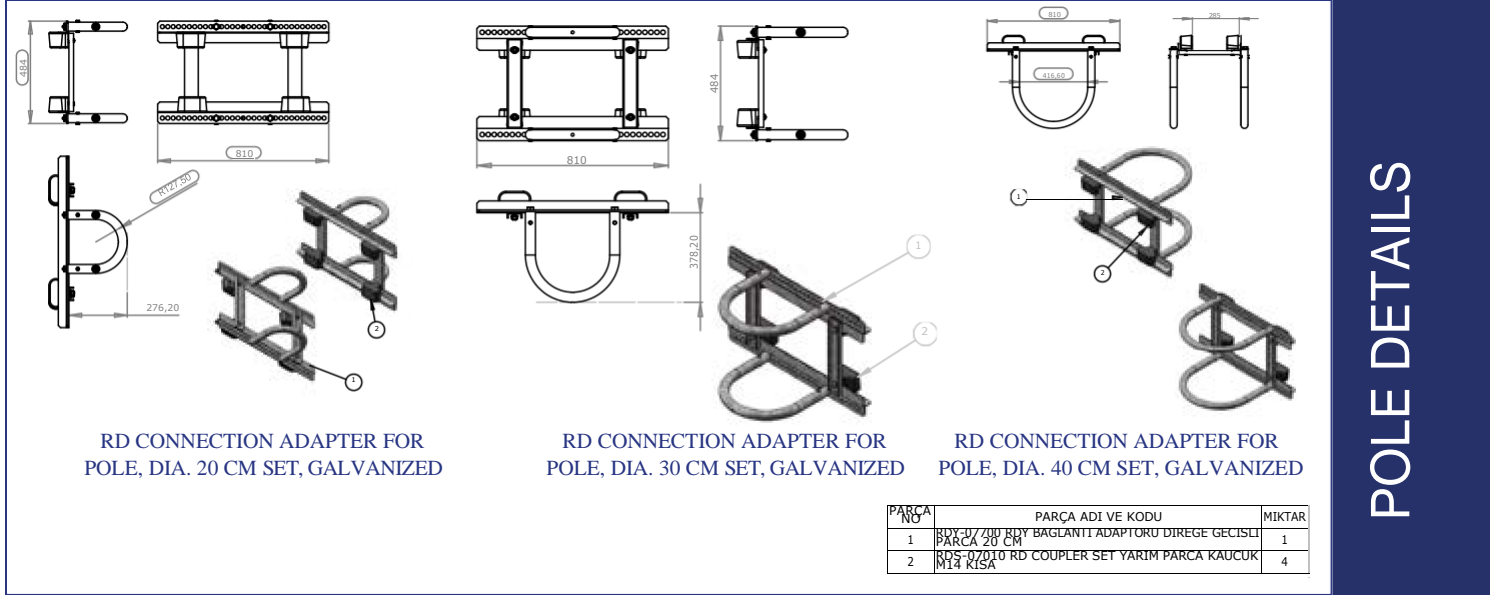
**JET PORT** JETPORT MODEL HAS INCLUDED IN MOLD 2 HOLES DIAM 9CM FOR POLES





Product Code: Product Definition:

## Mooring with Pole

**RDS-07420** RD CONNECTION ADAPTER FOR POLE, DIA. 20 CM SET, GALVANIZED**RDS-07430** RD CONNECTION ADAPTER FOR POLE, DIA. 30 CM SET, GALVANIZED**RDS-07440** RD CONNECTION ADAPTER FOR POLE, DIA. 40 CM SET, GALVANIZED

## Additional Information

It allows the pier systems to be moored by using poles of 20, 30 and 40 cm diameter.

**RDS-07500-BJ** STIFF ARM SET, GALVANIZED

## Mooring with Arm



## Technical Information

Width	: 94 cm	Weight	: 55,5 kg
Length	: 38 cm	Material	: Galvanized
Height	: 122 cm		

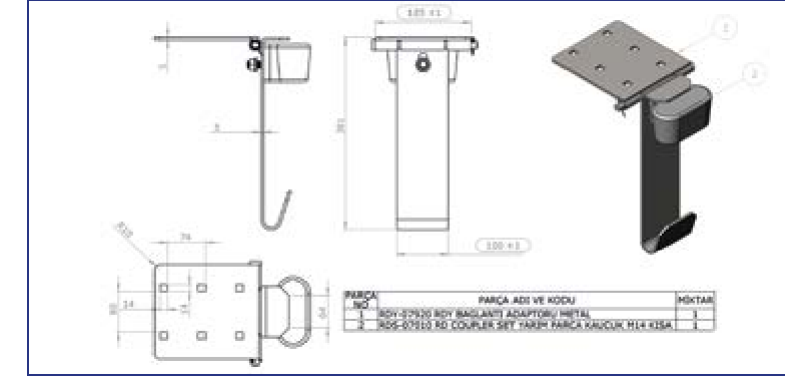
## Additional Information

It is used to fasten the systems required to be installed in a particular distance from the coast.



Product Code: Product Definition:

## Mooring with Arm

**RDS-07400** RD CONNECTION ADAPTER TABLE

## Technical Information

Width	: 20,5 cm	Weight	: 5 kg
Length	: 26 cm	Material	: Galvanized
Height	: 38 cm		

## Additional Information

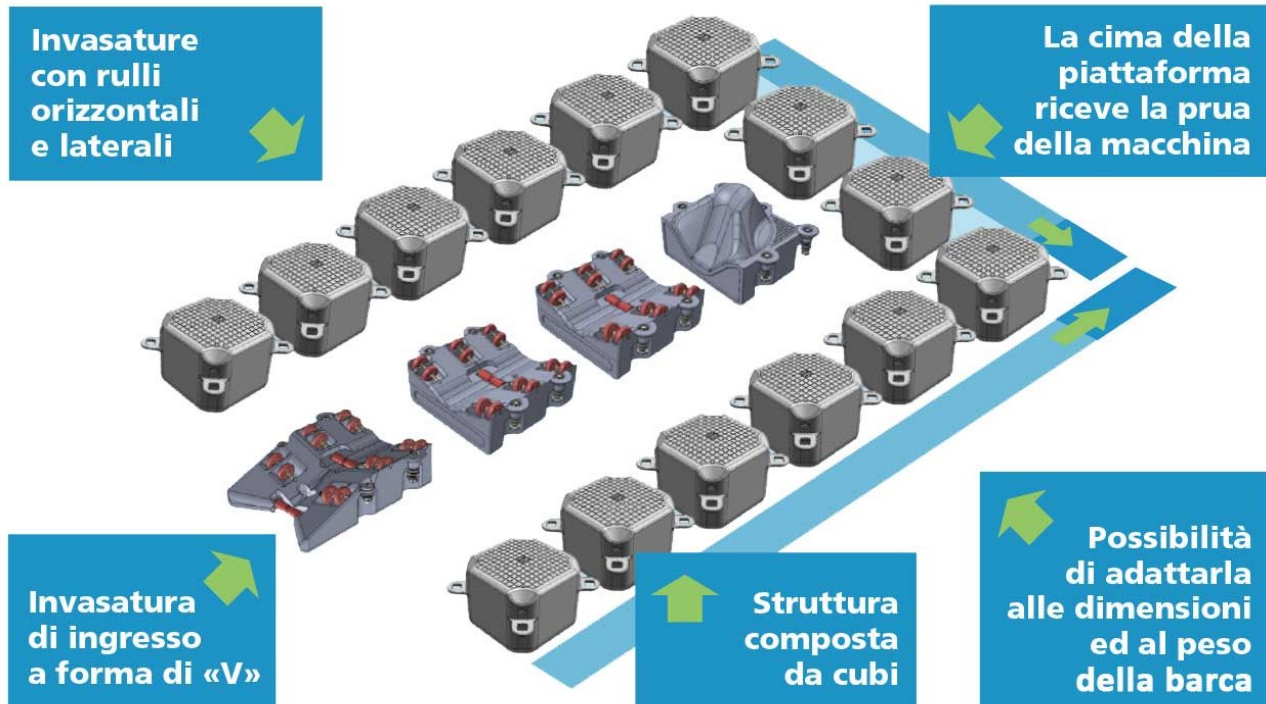
It allows connection of Rotodock system with other concrete or floating system with the bolts.



## ISTRUZIONI SU COME MONTARE IL SISTEMA BOAT LIFT

Per installare correttamente il sistema boat lift procedere come segue:

- Posizionare uno alla volta i moduli galleggianti CUBEDOCK di dimensione 50x50x40cm, formando la dimensione della piattaforma ordinata.



- **IMPORTANTE:** durante questa fase i moduli vanno posizionati su una superficie il più in piano possibile, così da far combaciare per bene le asole dei moduli che vanno una sull'altra. I **moduli** devono conservare la **STESSA DIREZIONE**. Per far ciò consigliamo di orientarsi guardando il logo stampato sopra il modulo galleggiante oppure posizionando i tappi posti su un fianco tutti nella solita direzione. ( Verso la parte rivolta verso di voi ad esempio)





- Una volta formato lo “scheletro” del vostro sistema Boat lift, che a questo punto somiglierà ad una “U”, cominciare a levare la plastica dai moduli a “V” dotati di rulli che costituiscono il vero e proprio sistema di alaggio
- Fare attenzione a posizionare nelle asole interne alla “U” formata con i moduli **gli appositi connettori bianchi che si trovano nell’imballo degli scivoli a “V”**. Per ogni scivolo ci sono **4 connettori speciali**.
- I connettori speciali di cui sopra hanno una loro logica , con un **SOPRA ed un SOTTO**. Il SOPRA è caratterizzato dalla parte filettata e da una sorta di allargamento paragonabile ad una rondella che fa parte del connettore stesso. Questa “rondella” serve per poggiare sull’asola e far si che il connettore rimanga in quella posizione.
- **IMPORTANTE:** I connettori posizionati sul lato interno della “U” che avete creato avranno una latezza diversa. Infatti le asole dei galleggianti saranno sfalsate. Per livellare tutti i connettori seu uno dei due lati, quello più basso, dovrete interporre tra l’asola del galleggiante e il connettore uno di quei dischi distanziali bianchi. L’altro disco distanziale invece va sempre messo SOTTO l’asola del galleggiante e quindi dovete serrare con forza il dado sotto il connettore.







**PiEmme srls**

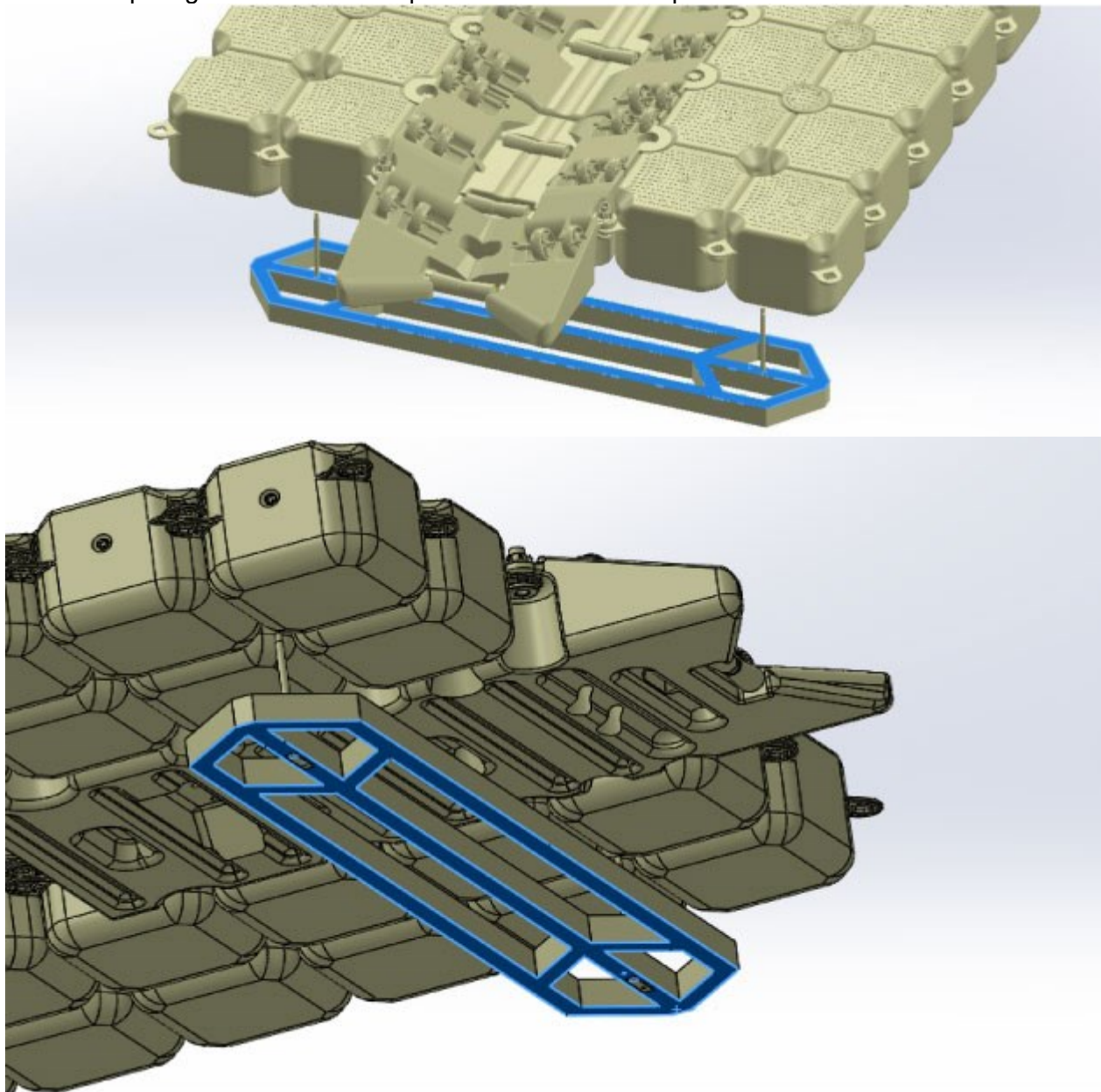
A quel punto il connettore è posizionato correttamente e ben fermo, quindi potete procedere a piazzare lo scivolo a V, facendo attenzione di far combaciare i fori e i connettori. Si consiglia di cercare di fare entrare i 4 connettori simultaneamente nei 4 fori, così da facilitare il lavoro.



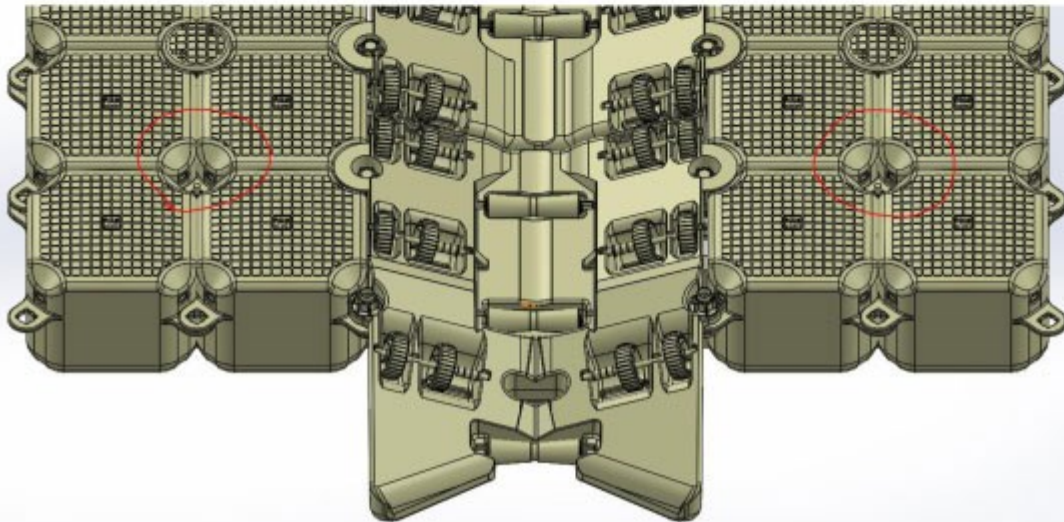
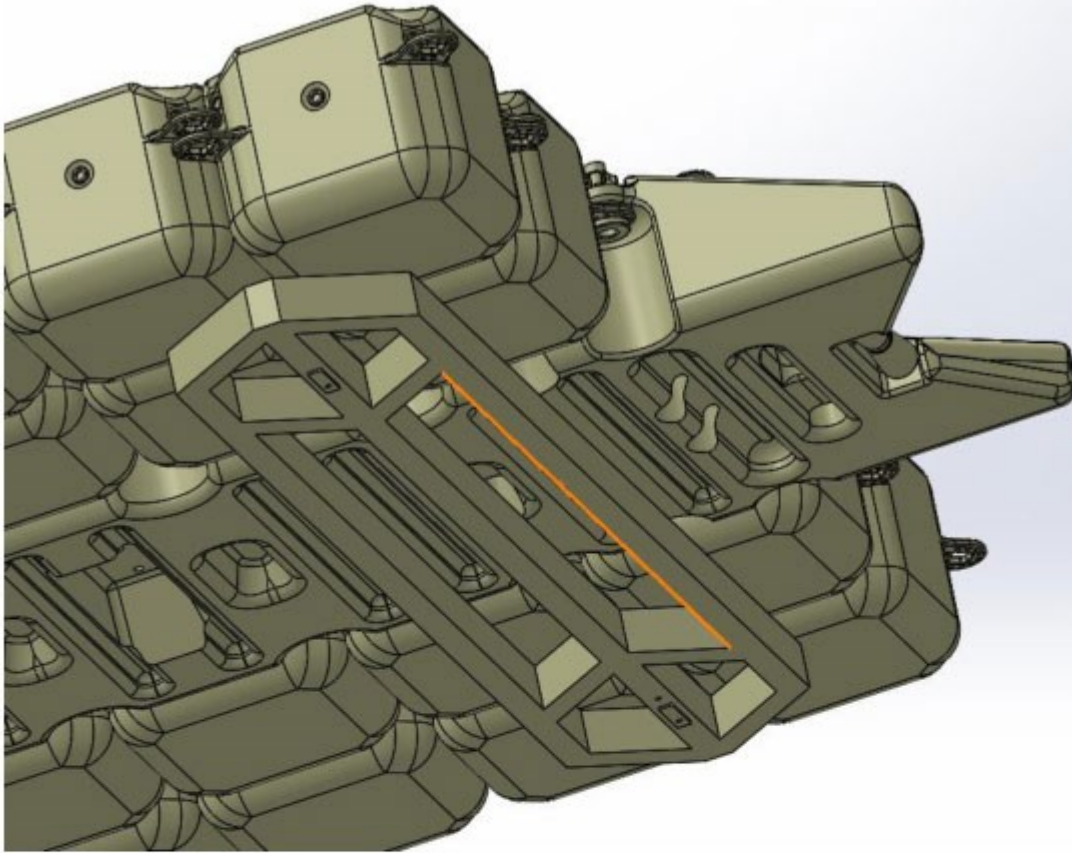


**SUPPORT PART IN ALLUMINIO (per boat lfit per gommoni pesanti)**

La parte in alluminio va posizionata a terra, quindi bisogna inserire i perni verticali dentro le asole dei galleggianti, per poi serrarli per bene con le rondelle ed I dai in acciaio. Questo supporto conferisce più rigidità e solidità alla parte di entrata ed alla parte retrostante.







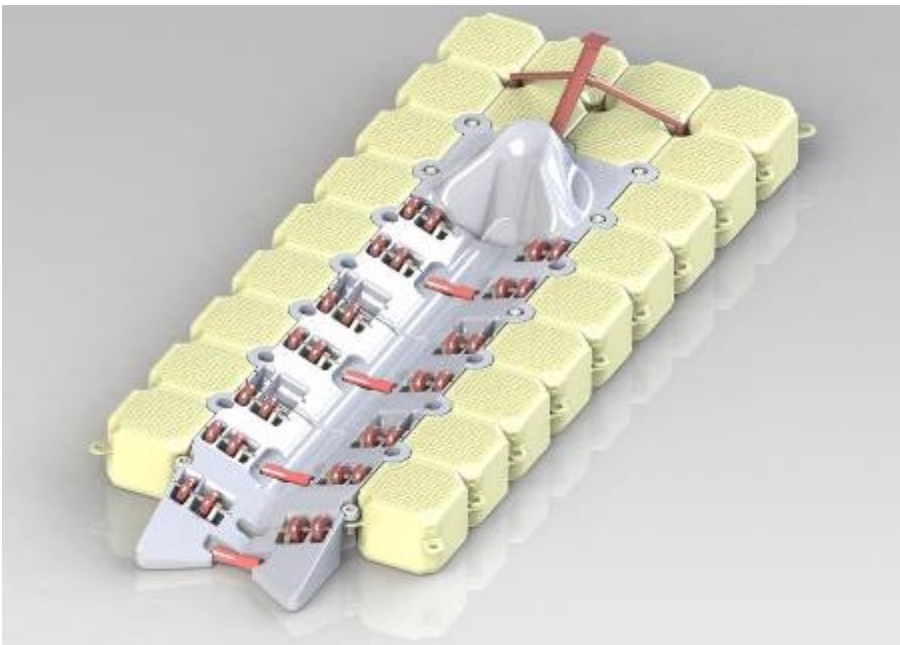




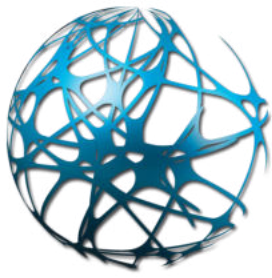




PiEmme srls







**PiEmme srls**

# FLEXIPOINT







➔ **COMPLETELY MODULAR**

The dock can be easily adapted to the size and weight of your boat by adding additional rows of cubes to the outside of the structure.

➔ **EASY TO ASSEMBLE**

The SunnyDock cubes are equipped with four corner tabs at different heights enabling them to be linked together using connecting pins and tightened with a locking key.

➔ **100% CUSTOMIZABLE**

The incredibly simple design of the modular floating cubes means that they can be used with a wide variety of anchors and accessories.

**PiEmme srls**

Sede Operativa: Via Dei Carpentieri, 41 cap: 55041  
Z. Ind. "Le Bocchette" - Camaiore (LU)- ITALY  
Ph: +39 0584 18.40.115 - +39 349 69.50.184  
web: [www.pontili-galleggianti.com](http://www.pontili-galleggianti.com) - [www.piemme-italia.com](http://www.piemme-italia.com)  
mail: [info@piemme-italia.com](mailto:info@piemme-italia.com)  
P.IVA: IT 02344710468 - Cod. Univoco KRRH6B9





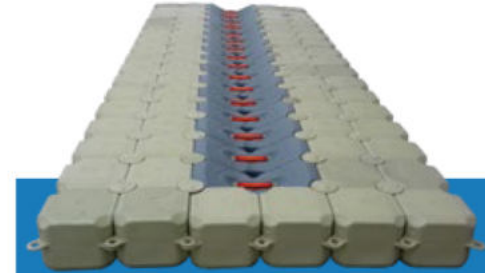


## OUR FLEXIPOINT DRIVE-ON DOCK MAKES IT EASY BOTH TO DRY MOOR AND LAUNCH YOUR BOAT. IT EASILY ADAPTS TO THE WEIGHT AND SIZE OF ANY VESSEL.

Our drive-on dock makes it easy both to dry moor and launch your boat. It is composed of 50 cm x 50 cm x 40 cm modular floating cubes and cradles equipped with horizontal rollers.

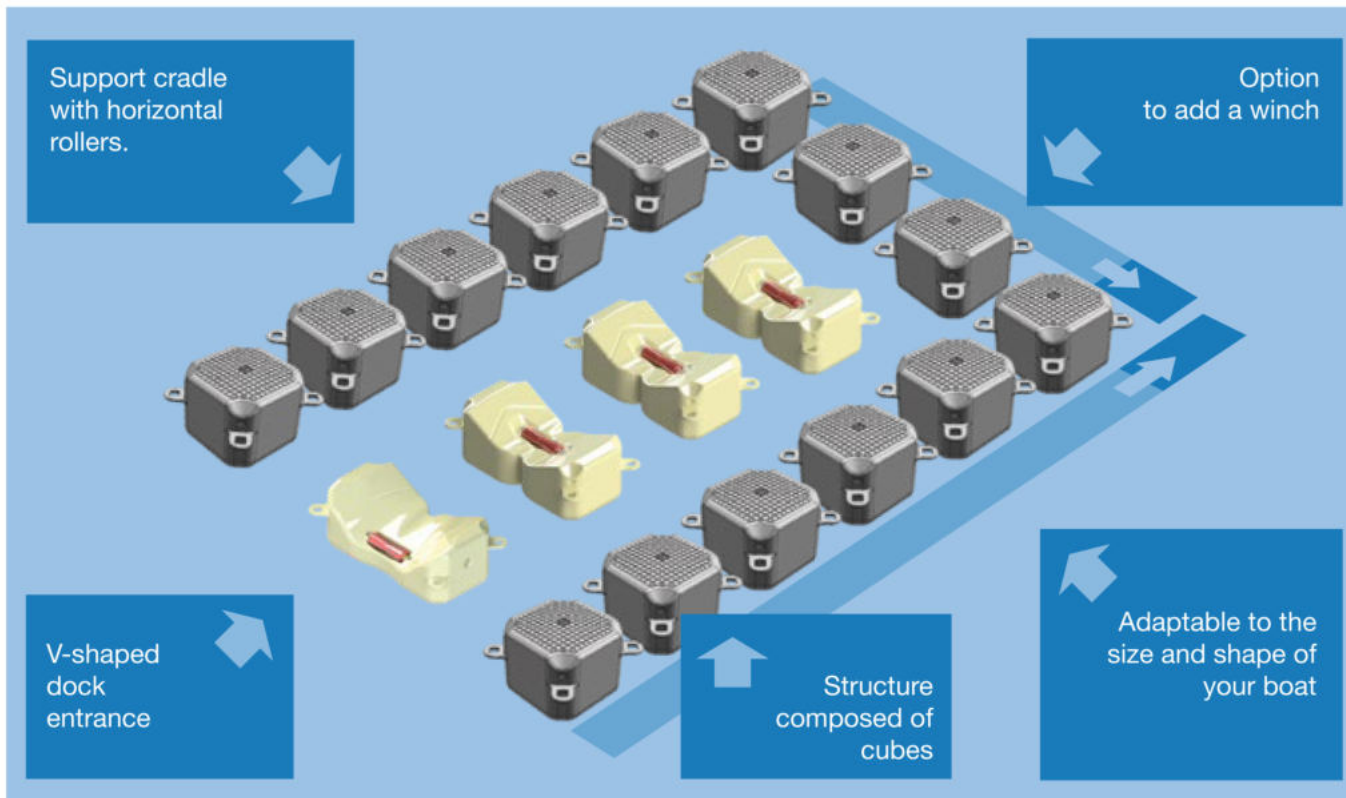
These support cradles hold the hull of the boat or rib.

To facilitate lifting your boat onto the dock, the entry cradle has a "V shaped" notch with an additional roller at the start. You can get right onto the platform simply using your engine power.



### CHARACTERISTICS

- Easy dry berthing and launch
- Easy access to your boat
- No more need for anti-fouling (saving money and the environment)
- Low-maintenance
- Can be used for overwintering
- Fits all types of boat
- Range of anchoring systems and accessories



## INSTALLATION TOOLS AND ACCESSORIES



Locking key



Connecting pin



Coupler key



Coupler set



Polythene dock cleat



High-resistance galvanized steel cleat



2-tab fender



Polyethylene ladder



Tripod winch

The Flexiport drive-on dock is composed of 50 cm x 50 cm x 40 cm modular floating cubes and support cradles equipped with horizontal rollers.



SunnyDock floating cubes



Entry cradle



Central support cradle

The fully modular design enables any configuration to be used.

## ANCHORING

on wood or concrete docks



Galvanized steel bracket



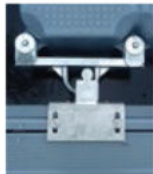
L-shaped dock connector



T-shaped dock connector



Mooring ring

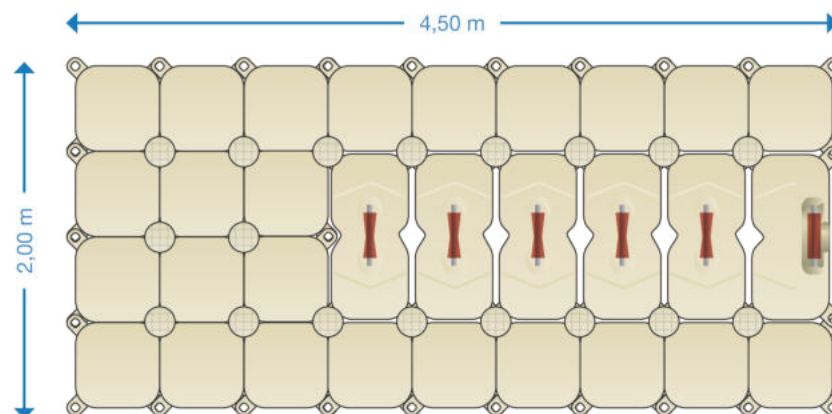


ANCHORING to mooring rings with chains or lines





# FLEXIPOINT 450

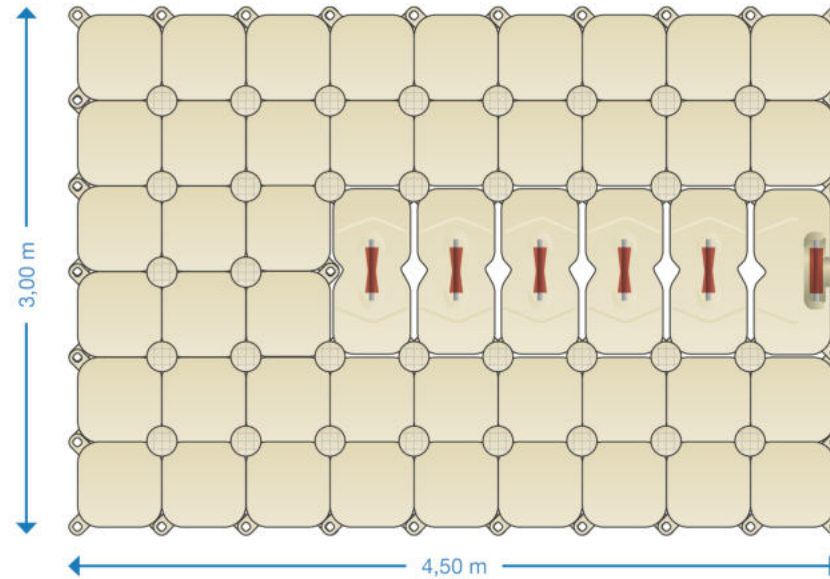


REF.	Q	DESCRIPTION
SDS-02520 - BJ	1	Entry part Flexiport - 50 x 100 x 40cm
SDS-02420-BJ	5	Body part Flexiport with central rolls - 50 x 100 x 40cm
SDS-01060 - BJ	4	Single cube PEHD with low freeboard 50 x 50 x 25cm - beige
SDS-01010 - BJ	20	Single cube PEHD 50 x 50 x 40cm - beige
SDS-07000-BJ	18	Connecting pin - beige
SDS-07400	21	Screw + nut (no washer)
SDY-14022-W	8	Double washer - white
SDS-07200	1	Locking key for cubes
SDS-17300	1	Key for screws

## PiEmme srls

Sede Operativa: Via Dei Carpentieri, 41 cap: 55041  
Z. Ind. "Le Bocchette" - Camaiore (LU)- ITALY  
Ph: +39 0584 18.40.115 - +39 349 69.50.184  
web: [www.pontili-galleggianti.com](http://www.pontili-galleggianti.com) - [www.piemme-italia.com](http://www.piemme-italia.com)  
mail: [info@piemme-italia.com](mailto:info@piemme-italia.com)  
P.IVA: IT 02344710468 - Cod. Univoco KRRH6B9

# FLEXIPOINT 450 PLUS



REF.	Q	DESCRIPTION
SDS-02520 - BJ	1	Entry part Flexiport - 50 x 100 x 40cm
SDS-02420-BJ	5	Body part Flexiport with central rolls - 50 x 100 x 40cm
SDS-01040 - BJ	17	Double cube PEHD 50 x 100 x 40cm - beige
SDS-01050-BJ	4	Double cube PEHD with low freeboard 50 x 100 x 25cm - beige
SDS-07000-BJ	34	Connecting pin - beige
SDS-07400	17	Screw + nut (no washer)
SDY-14022-W	26	Double washer - white
SDS-07200	1	Locking key for cubes
SDS-17300	1	Key for screws

**PiEmme srls**

Sede Operativa: Via Dei Carpentieri, 41 cap: 55041

Z. Ind. "Le Bocchette" - Camaiore (LU)- ITALY

Ph: +39 0584 18.40.115 - +39 349 69.50.184

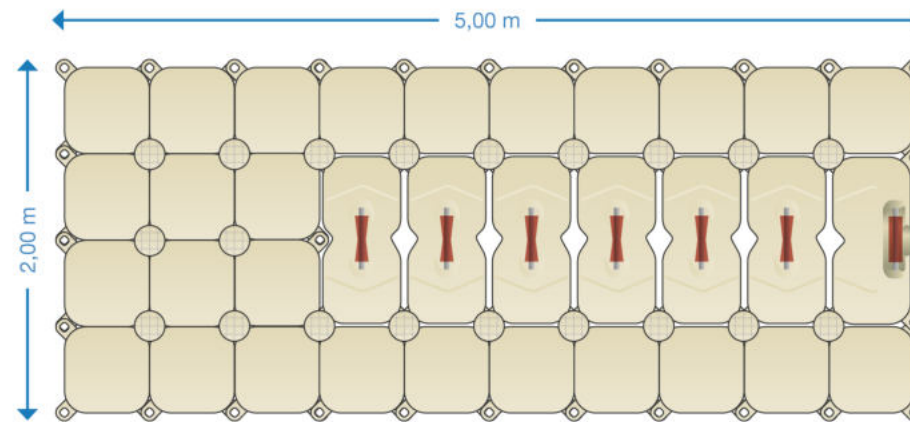
web: [www.pontili-galleggianti.com](http://www.pontili-galleggianti.com) - [www.piemme-italia.com](http://www.piemme-italia.com)

mail: [info@piemme-italia.com](mailto:info@piemme-italia.com)

P.IVA: IT 02344710468 - Cod. Univoco KRRH6B9



# FLEXIPOINT 500

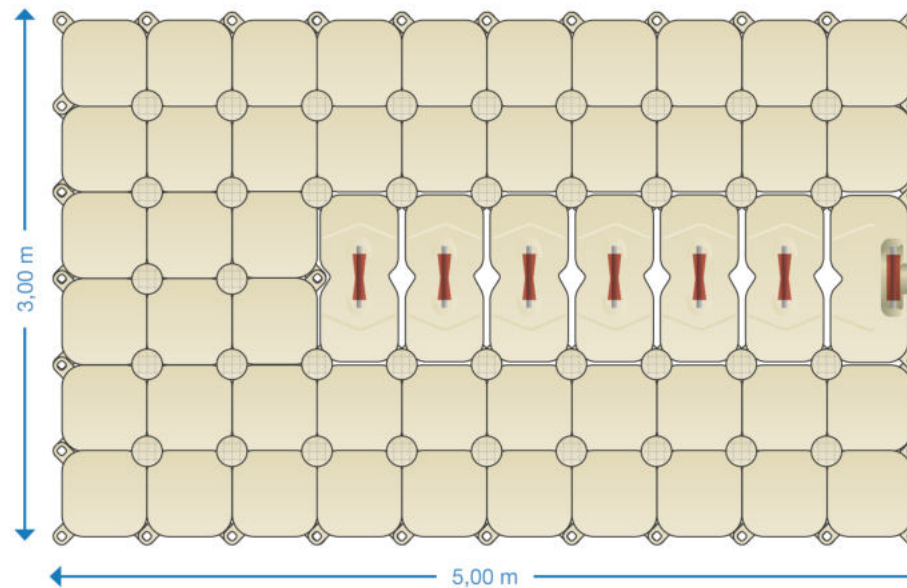


REF.	Q	DESCRIPTION
SDS-02520 - BJ	1	Entry part Flexiport - 50 x 100 x 40cm
SDS-02420-BJ	6	Body part Flexiport with central rolls - 50 x 100 x 40cm
SDS-01060 - BJ	4	Single cube PEHD with low freeboard 50 x 50 x 25cm - beige
SDS-01010 - BJ	22	Single cube PEHD 50 x 50 x 40cm - beige
SDS-07000-BJ	20	Connecting pin - beige
SDS-07400	23	Screw + nut (no washer)
SDY-14022-W	10	Double washer - white
SDS-07200	1	Locking key for cubes
SDS-17300	1	Key for screws

## PiEmme srls

Sede Operativa: Via Dei Carpentieri, 41 cap: 55041  
Z. Ind. "Le Bocchette" - Camaiore (LU)- ITALY  
Ph: +39 0584 18.40.115 - +39 349 69.50.184  
web: [www.pontili-galleggianti.com](http://www.pontili-galleggianti.com) - [www.piemme-italia.com](http://www.piemme-italia.com)  
mail: [info@piemme-italia.com](mailto:info@piemme-italia.com)  
P.IVA: IT 02344710468 - Cod. Univoco KRRH6B9

# FLEXIPOINT 500 PLUS



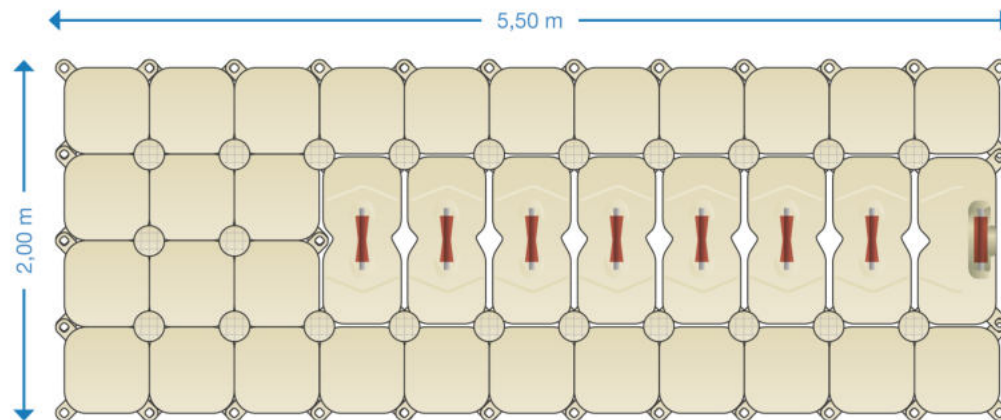
REF.	Q	DESCRIPTION
SDS-02520-BJ	1	Entry part Flexiport - 50 x 100 x 40cm
SDS-02420-BJ	6	Body part Flexiport with central rolls - 50 x 100 x 40cm
SDS-01040-BJ	19	Double cube PEHD 50 x 100 x 40cm - beige
SDS-01050-BJ	4	Double cube PEHD with low freeboard 50 x 100 x 25cm - beige
SDS-07000-BJ	38	Connecting pin - beige
SDS-07400	19	Screw + nut (no washer)
SDY-14022-W	29	Double washer - white
SDS-07200	1	Locking key for cubes
SDS-17300	1	Key for screws

## PiEmme srls

Sede Operativa: Via Dei Carpentieri, 41 cap: 55041  
Z. Ind. "Le Bocchette" - Camaiore (LU)- ITALY  
Ph: +39 0584 18.40.115 - +39 349 69.50.184  
web: [www.pontili-galleggianti.com](http://www.pontili-galleggianti.com) - [www.piemme-italia.com](http://www.piemme-italia.com)  
mail: [info@piemme-italia.com](mailto:info@piemme-italia.com)  
P.IVA: IT 02344710468 - Cod. Univoco KRRH6B9



# FLEXIPOINT 550

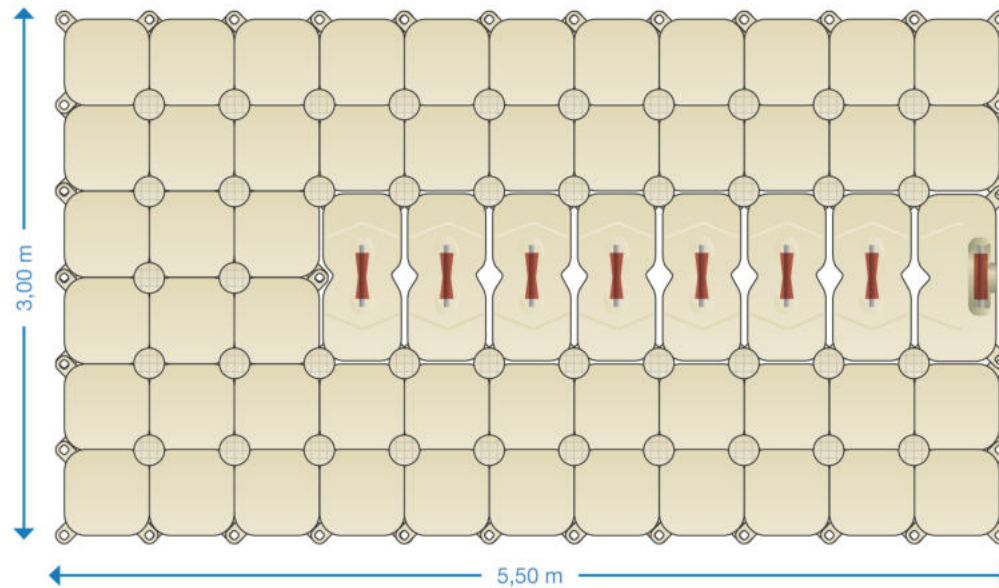


REF.	Q	DESCRIPTION
SDS-02520-BJ	1	Entry part Flexiport - 50 x 100 x 40cm
SDS-02420-BJ	7	Body part Flexiport with central rolls - 50 x 100 x 40cm
SDS-01060-BJ	4	Single cube PEHD with low freeboard 50 x 50 x 25cm - beige
SDS-01010-BJ	24	Single cube PEHD 50 x 50 x 40cm - beige
SDS-07000-BJ	22	Connecting pin - beige
SDS-07400	25	Screw + nut (no washer)
SDY-14022-W	12	Double washer - white
SDS-07200	1	Locking key for cubes
SDS-17300	1	Key for screws

## PiEmme srls

Sede Operativa: Via Dei Carpentieri, 41 cap: 55041  
Z. Ind. "Le Bocchette" - Camaiore (LU)- ITALY  
Ph: +39 0584 18.40.115 - +39 349 69.50.184  
web: [www.pontili-galleggianti.com](http://www.pontili-galleggianti.com) - [www.piemme-italia.com](http://www.piemme-italia.com)  
mail: [info@piemme-italia.com](mailto:info@piemme-italia.com)  
P.IVA: IT 02344710468 - Cod. Univoco KRRH6B9

# FLEXIPOINT 550 PLUS



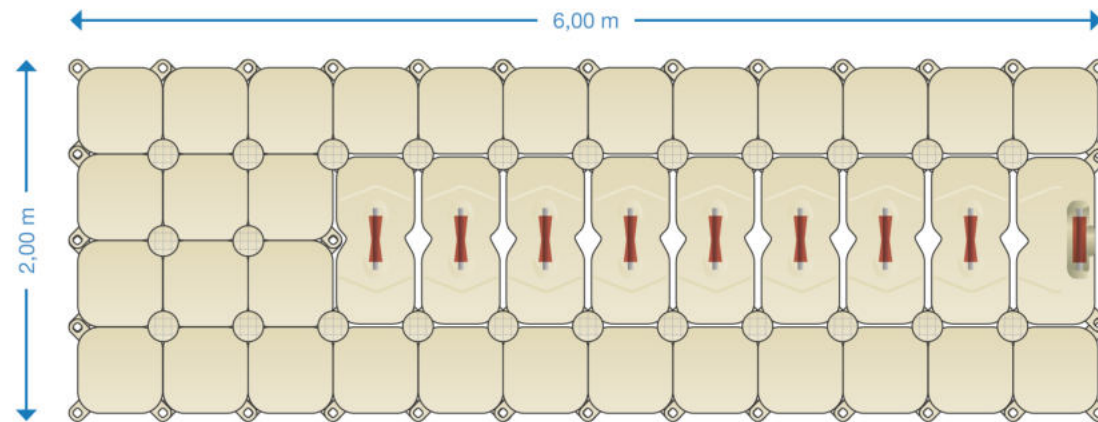
REF.	Q	DESCRIPTION
SDS-02520-BJ	1	Entry part Flexiport - 50 x 100 x 40cm
SDS-02420-BJ	7	Body part Flexiport with central rolls - 50 x 100 x 40cm
SDS-01040-BJ	21	Double cube PEHD 50 x 100 x 40cm - beige
SDS-01050-BJ	4	Double cube PEHD with low freeboard 50 x 100 x 25cm - beige
SDS-07000-BJ	42	Connecting pin - beige
SDS-07400	21	Screw + nut (no washer)
SDY-14022-W	32	Double washer - white
SDS-07200	1	Locking key for cubes
SDS-17300	1	Key for screws

## PiEmme srls

Sede Operativa: Via Dei Carpentieri, 41 cap: 55041  
Z. Ind. "Le Bocchette" - Camaiore (LU)- ITALY  
Ph: +39 0584 18.40.115 - +39 349 69.50.184  
web: [www.pontili-galleggianti.com](http://www.pontili-galleggianti.com) - [www.piemme-italia.com](http://www.piemme-italia.com)  
mail: [info@piemme-italia.com](mailto:info@piemme-italia.com)  
P.IVA: IT 02344710468 - Cod. Univoco KRRH6B9



# FLEXIPOINT 600



REF.	Q	DESCRIPTION
SDS-02520-BJ	1	Entry part Flexiport - 50 x 100 x 40cm
SDS-02420-BJ	8	Body part Flexiport with central rolls - 50 x 100 x 40cm
SDS-01060-BJ	4	Single cube PEHD with low freeboard 50 x 50 x 25cm - beige
SDS-01010-BJ	26	Single cube PEHD 50 x 50 x 40cm - beige
SDS-07000-BJ	24	Connecting pin - beige
SDS-07400	27	Screw + nut (no washer)
SDY-14022-W	14	Double washer - white
SDS-07200	1	Locking key for cubes
SDS-17300	1	Key for screws

**PiEmme srls**

Sede Operativa: Via Dei Carpentieri, 41 cap: 55041

Z. Ind. "Le Bocchette" - Camaiore (LU)- ITALY

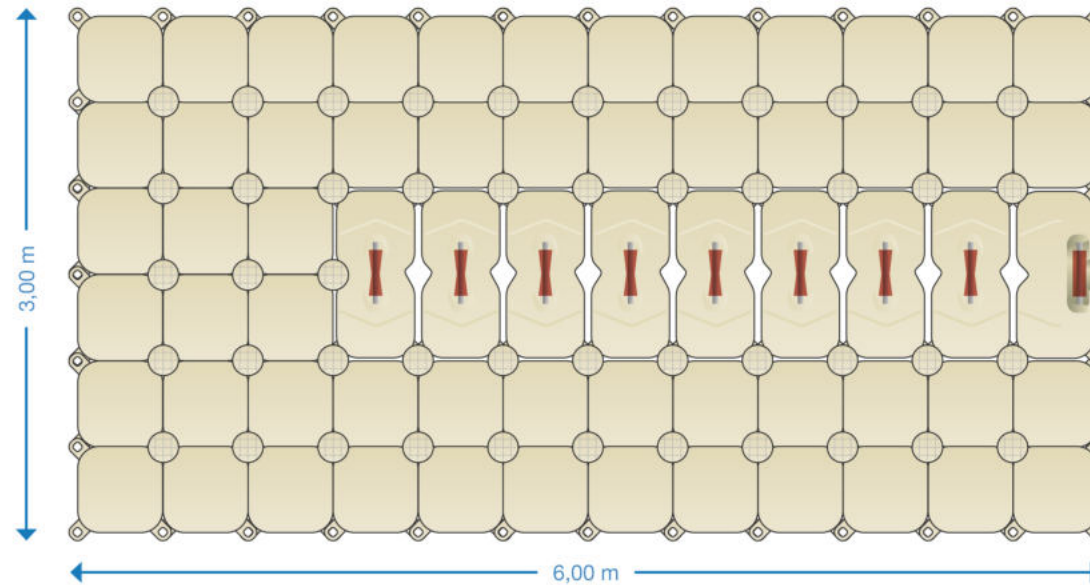
Ph: +39 0584 18.40.115 - +39 349 69.50.184

web: [www.pontili-galleggianti.com](http://www.pontili-galleggianti.com) - [www.piemme-italia.com](http://www.piemme-italia.com)

mail: [info@piemme-italia.com](mailto:info@piemme-italia.com)

P.IVA: IT 02344710468 - Cod. Univoco KRRH6B9

# FLEXIPOINT 600 PLUS



REF.	Q	DESCRIPTION
SDS-02520-BJ	1	Entry part Flexiport - 50 x 100 x 40cm
SDS-02420-BJ	8	Body part Flexiport with central rolls - 50 x 100 x 40cm
SDS-01040-BJ	23	Double cube PEHD 50 x 100 x 40cm - beige
SDS-01050-BJ	4	Double cube PEHD with low freeboard 50 x 100 x 25cm - beige
SDS-07000-BJ	46	Connecting pin - beige
SDS-07400	18	Screw + nut (no washer)
SDY-14022-W	35	Double washer - white
SDS-07200	1	Locking key for cubes
SDS-17300	1	Key for screws

**PiEmme srls**

Sede Operativa: Via Dei Carpentieri, 41 cap: 55041

Z. Ind. "Le Bocchette" - Camaiore (LU)- ITALY

Ph: +39 0584 18.40.115 - +39 349 69.50.184

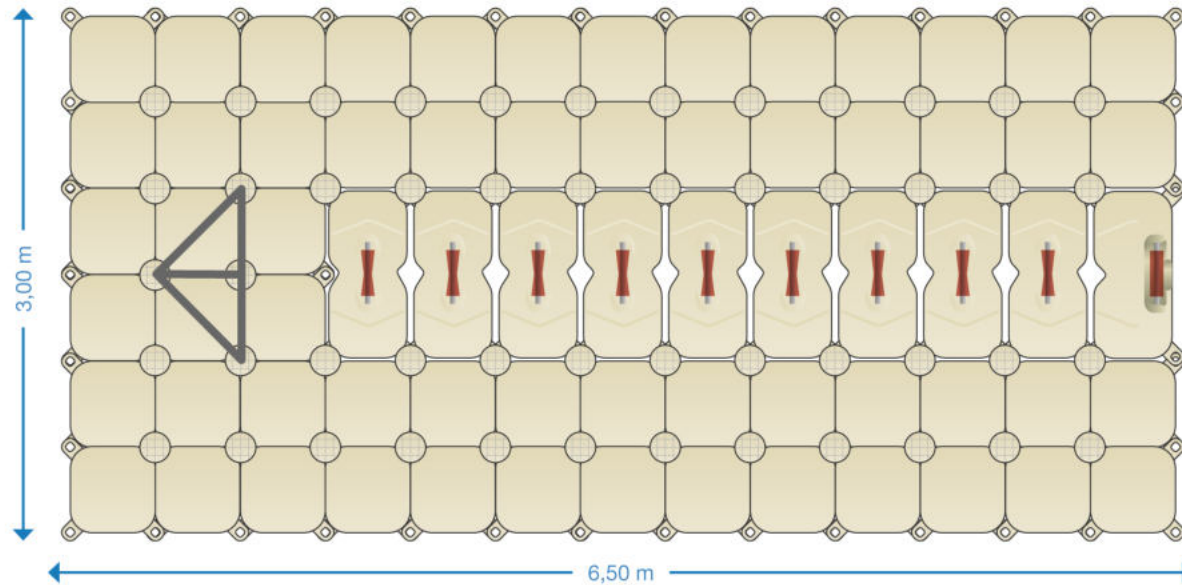
web: [www.pontili-galleggianti.com](http://www.pontili-galleggianti.com) - [www.piemme-italia.com](http://www.piemme-italia.com)

mail: [info@piemme-italia.com](mailto:info@piemme-italia.com)

P.IVA: IT 02344710468 - Cod. Univoco KRRH6B9



# FLEXIPOINT 650



REF.	Q	DESCRIPTION
SDS-02520-BJ	1	Entry part Flexiport - 50 x 100 x 40cm
SDS-02420-BJ	9	Body part Flexiport with central rolls - 50 x 100 x 40cm
SDS-01040-BJ	23	Double cube PEHD 50 x 100 x 40cm - beige
SDS-01050-BJ	6	Double cube PEHD with low freeboard 50 x 100 x 25cm - beige
SDS-07000-BJ	50	Connecting pin - beige
SDS-07400	28	Screw + nut (no washer)
SDY-14022-W	38	Double washer - white
CDS-02310	1	winch support
SDS-07200	1	Locking key for cubes
SDS-17300	1	Key for screws

**PiEmme srls**

Sede Operativa: Via Dei Carpentieri, 41 cap: 55041

Z. Ind. "Le Bocchette" - Camaiore (LU)- ITALY

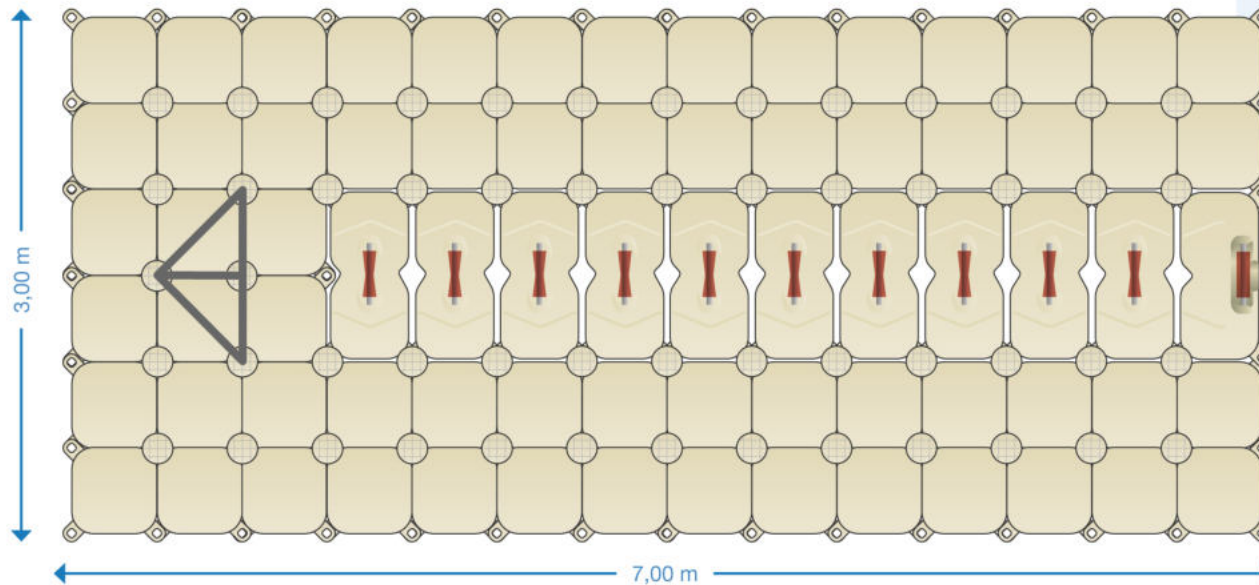
Ph: +39 0584 18.40.115 - +39 349 69.50.184

web: [www.pontili-galleggianti.com](http://www.pontili-galleggianti.com) - [www.piemme-italia.com](http://www.piemme-italia.com)

mail: [info@piemme-italia.com](mailto:info@piemme-italia.com)

P.IVA: IT 02344710468 - Cod. Univoco KRRH6B9

# FLEXIPOINT 700



REF.	Q	DESCRIPTION
SDS-02520-BJ	1	Entry part Flexiport - 50 x 100 x 40cm
SDS-02420-BJ	10	Body part Flexiport with central rolls - 50 x 100 x 40cm
SDS-01040-BJ	25	Double cube PEHD 50 x 100 x 40cm - beige
SDS-01050-BJ	6	Double cube PEHD with low freeboard 50 x 100 x 25cm - beige
SDS-07000-BJ	54	Connecting pin - beige
SDS-07400	30	Screw + nut (no washer)
SDY-14022-W	40	Double washer - white
BEL-TR-2200	1	Winch with stainless steel support - max 2200kg
SDS-07200	1	Locking key for cubes
SDS-17300	1	Key for screws

**PiEmme srls**

Sede Operativa: Via Dei Carpentieri, 41 cap: 55041

Z. Ind. "Le Bocchette" - Camaiore (LU)- ITALY

Ph: +39 0584 18.40.115 - +39 349 69.50.184

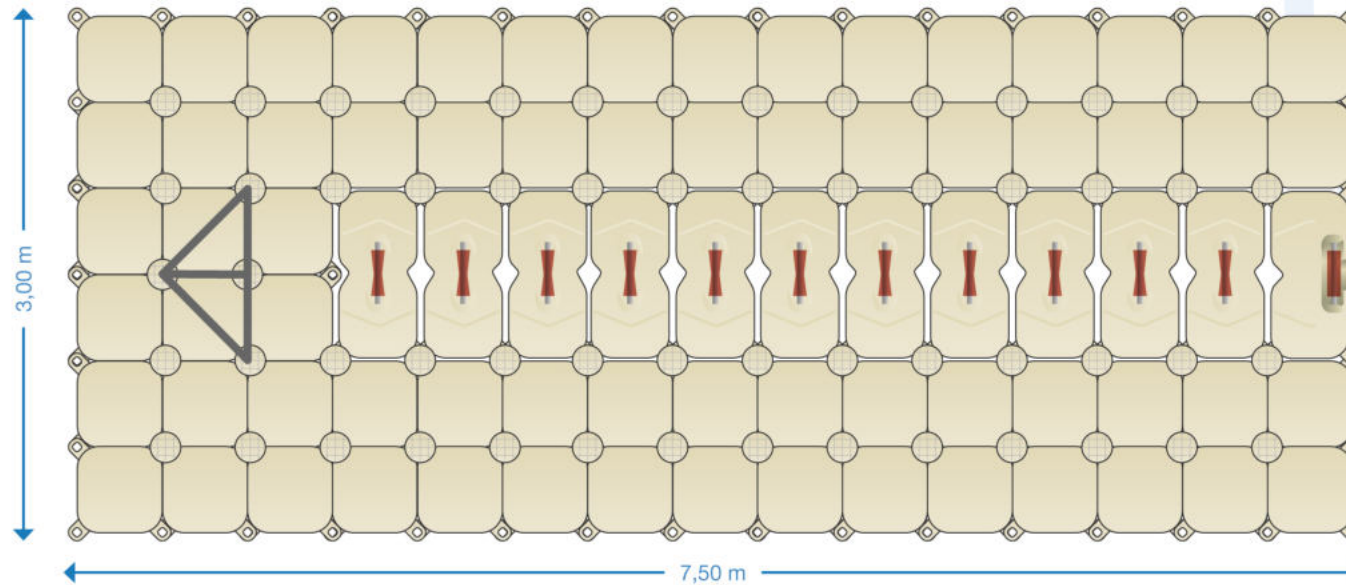
web: [www.pontili-galleggianti.com](http://www.pontili-galleggianti.com) - [www.piemme-italia.com](http://www.piemme-italia.com)

mail: [info@piemme-italia.com](mailto:info@piemme-italia.com)

P.IVA: IT 02344710468 - Cod. Univoco KRRH6B9



# FLEXIPOINT 750



REF.	Q	DESCRIPTION
SDS-02520-BJ	1	Entry part Flexiport - 50 x 100 x 40cm
SDS-02420-BJ	11	Body part Flexiport with central rolls - 50 x 100 x 40cm
SDS-01040-BJ	27	Double cube PEHD 50 x 100 x 40cm - beige
SDS-01050-BJ	6	Double cube PEHD with low freeboard 50 x 100 x 25cm - beige
SDS-07000-BJ	58	Connecting pin - beige
SDS-07400	32	Screw + nut (no washer)
SDY-14022-W	42	Double washer - white
BEL-TR-2200	1	Winch with stainless steel support - max 2200kg
SDS-07200	1	Locking key for cubes
SDS-17300	1	Key for screws

**PiEmme srls**

Sede Operativa: Via Dei Carpentieri, 41 cap: 55041

Z. Ind. "Le Bocchette" - Camaiore (LU)- ITALY

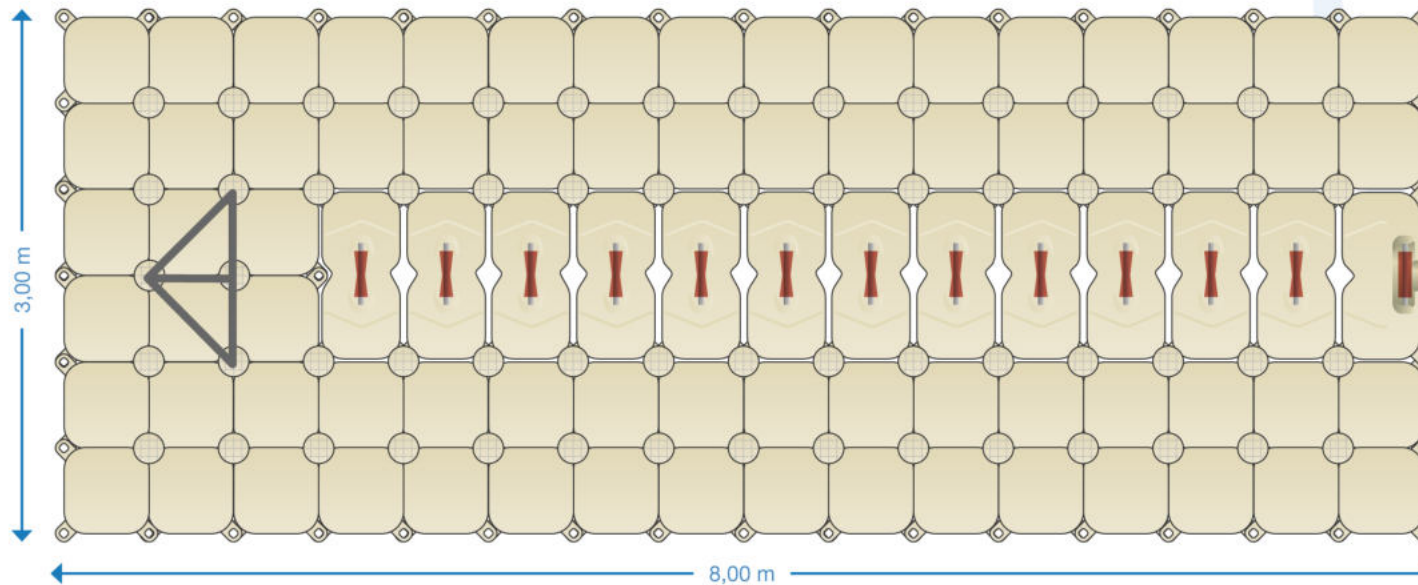
Ph: +39 0584 18.40.115 - +39 349 69.50.184

web: [www.pontili-galleggianti.com](http://www.pontili-galleggianti.com) - [www.piemme-italia.com](http://www.piemme-italia.com)

mail: [info@piemme-italia.com](mailto:info@piemme-italia.com)

P.IVA: IT 02344710468 - Cod. Univoco KRRH6B9

# FLEXIPOINT 800



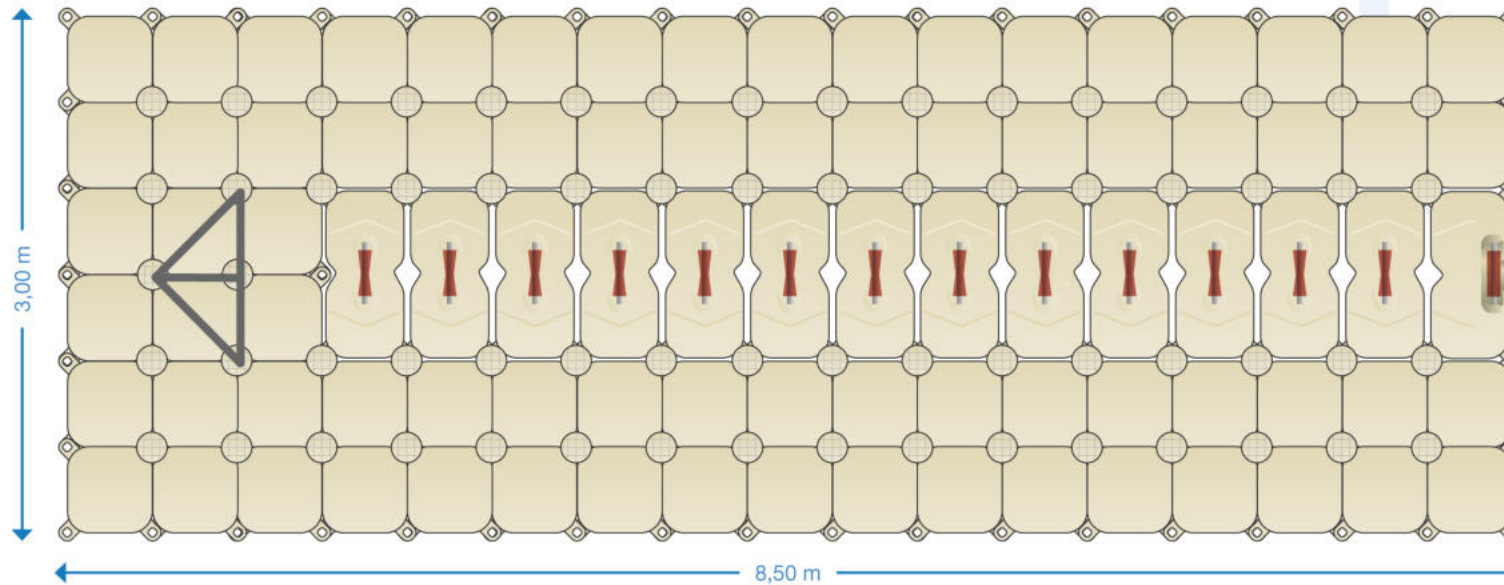
REF.	Q	DESCRIPTION
SDS-02520-BJ	1	Entry part Flexiport - 50 x 100 x 40cm
SDS-02420-BJ	12	Body part Flexiport with central rolls - 50 x 100 x 40cm
SDS-01040-BJ	29	Double cube PEHD 50 x 100 x 40cm - beige
SDS-01050-BJ	6	Double cube PEHD with low freeboard 50 x 100 x 25cm - beige
SDS-07000-BJ	62	Connecting pin - beige
SDS-07400	34	Screw + nut (no washer)
SDY-14022-W	44	Double washer - white
BEL-TR-2200	1	Winch with stainless steel support - max 2200kg
SDS-07200	1	Locking key for cubes
SDS-17300	1	Key for screws

## PiEmme srls

Sede Operativa: Via Dei Carpentieri, 41 cap: 55041  
 Z. Ind. "Le Bocchette" - Camaiore (LU)- ITALY  
 Ph: +39 0584 18.40.115 - +39 349 69.50.184  
 web: [www.pontili-galleggianti.com](http://www.pontili-galleggianti.com) - [www.piemme-italia.com](http://www.piemme-italia.com)  
 mail: [info@piemme-italia.com](mailto:info@piemme-italia.com)  
 P.IVA: IT 02344710468 - Cod. Univoco KRRH6B9



# FLEXIPOINT 850



REF.	Q	DESCRIPTION
SDS-02520-BJ	1	Entry part Flexiport - 50 x 100 x 40cm
SDS-02420-BJ	13	Body part Flexiport with central rolls - 50 x 100 x 40cm
SDS-01040-BJ	31	Double cube PEHD 50 x 100 x 40cm - beige
SDS-01050-BJ	6	Double cube PEHD with low freeboard 50 x 100 x 25cm - beige
SDS-07000-BJ	66	Connecting pin - beige
SDS-07400	36	Screw + nut (no washer)
SDY-14022-W	46	Double washer - white
BEL-TR-2200	1	Winch with stainless steel support - max 2200kg
SDS-07200	1	Locking key for cubes
SDS-17300	1	Key for screws

**PiEmme srls**

Sede Operativa: Via Dei Carpentieri, 41 cap: 55041

Z. Ind. "Le Bocchette" - Camaiore (LU)- ITALY

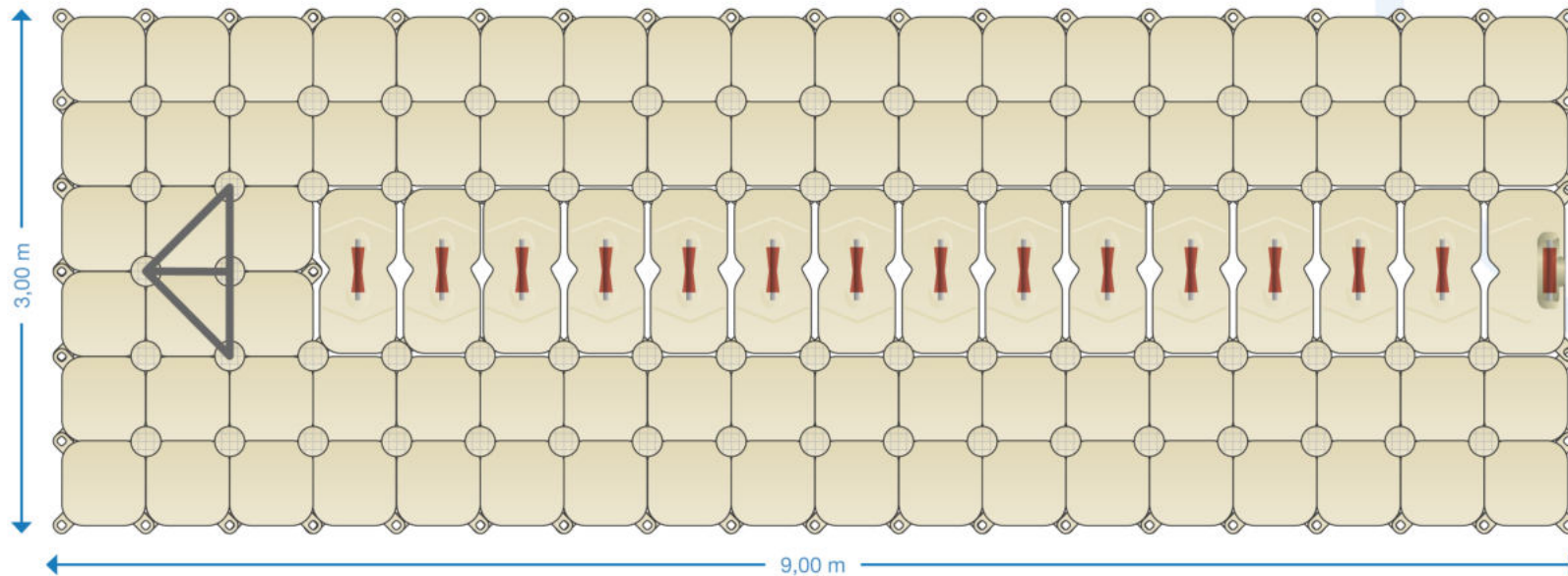
Ph: +39 0584 18.40.115 - +39 349 69.50.184

web: [www.pontili-galleggianti.com](http://www.pontili-galleggianti.com) - [www.piemme-italia.com](http://www.piemme-italia.com)

mail: [info@piemme-italia.com](mailto:info@piemme-italia.com)

P.IVA: IT 02344710468 - Cod. Univoco KRRH6B9

# FLEXIPOINT 900



REF.	Q	DESCRIPTION
SDS-02520- BJ	1	Entry part Flexiport - 50 x 100 x 40cm
SDS-02420-BJ	14	Body part Flexiport with central rolls - 50 x 100 x 40cm
SDS-01040-BJ	33	Double cube PEHD 50 x 100 x 40cm - beige
SDS-01050-BJ	6	Double cube PEHD with low freeboard 50 x 100 x 25cm - beige
SDS-07000-BJ	70	Connecting pin - beige
SDS-07400	38	Screw + nut (no washer)
SDY-14022-W	48	Double washer - white
BEL-TR-2200	1	Winch with stainless steel support - max 2200kg
SDS-07200	1	Locking key for cubes
SDS-17300	1	Key for screws

**PiEmme srls**

Sede Operativa: Via Dei Carpentieri, 41 cap: 55041

Z. Ind. "Le Bocchette" - Camaiore (LU)- ITALY

Ph: +39 0584 18.40.115 - +39 349 69.50.184

web: [www.pontili-galleggianti.com](http://www.pontili-galleggianti.com) - [www.piemme-italia.com](http://www.piemme-italia.com)

mail: [info@piemme-italia.com](mailto:info@piemme-italia.com)

P.IVA: IT 02344710468 - Cod. Univoco KRRH6B9





**PiEmme** srls



+39 0 584 18 40 115  
+39 349 69 50 184

**www**

[www.pontili-galleggianti.com](http://www.pontili-galleggianti.com)  
[www.piemme-italia.com](http://www.piemme-italia.com)  
[info@piemme-italia.com](mailto:info@piemme-italia.com)



Via Dei Carpentieri nr 41  
Z. Industriale "Le Bocchette"  
55041 - Camaiore (LU) - Italy